

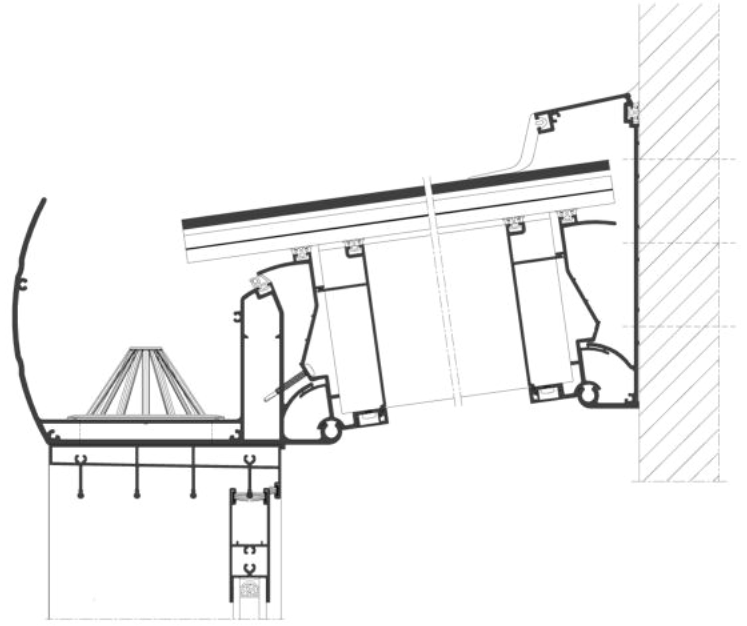


Dış Mekan Sistem
Outdoor System



WGG 100

SKYR00F

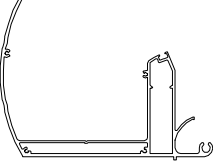
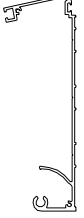
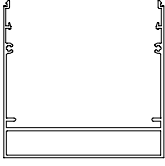

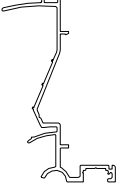

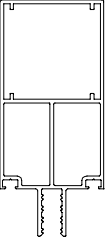


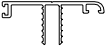

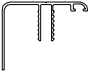

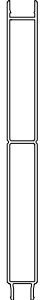

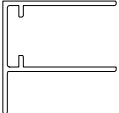
TEKNİK ÖZELLİKLER / TECHNICAL PROPERTIES

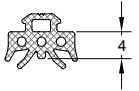
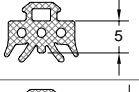
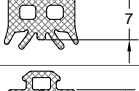
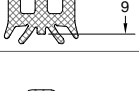
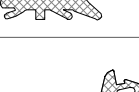
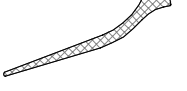
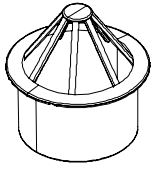
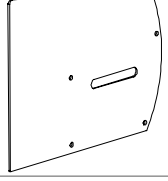

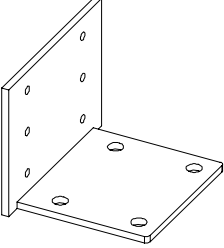
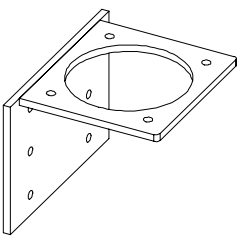
| | |
|--|------------|
| Dikme Profil Geniřliđi / Pole Profile Width | 141 mm |
| Oluk Profil Geniřliđi / Gutter Profile Width | 200,2 mm |
| Tařıyıcı Profil Geniřliđi / Glazing Carrier Profile Width | 55x125 mm |
| Profil Et Kalınlıđı / Profile Wall Thickness | 1,5 - 3 mm |
| Maks. Panel Kalınlıđı / Max. Panel Thickness | 32 mm |
| Maks. Panel Geniřliđi / Max. Panel Width | 750 mm |
| Eksiz Maks. Veranda Geniřliđi / Max. Jointless Veranda Width | 5000 mm |
| Maks. Veranda Derinliđi / Max. Veranda Depth | 3500 mm |
| İki Dikme Arası Maks. Mesafe / Max. Distance Between Pole Profiles | 5000 mm |
| Veranda Maks. Arka Yükseklik / Max. Veranda Back Height | 2800 mm |
| Veranda Maks. Ön Yükseklik / Max. Veranda Front Height | 2400 mm |

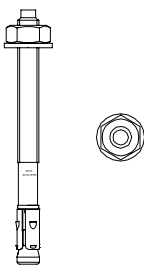
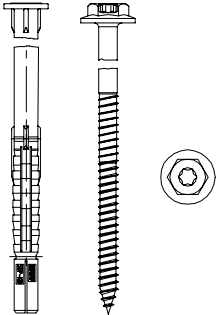
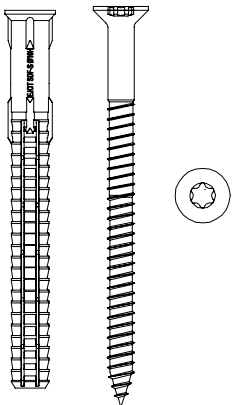



UYGULAMA SEÇENEKLERİ / APPLICATION OPTIONS

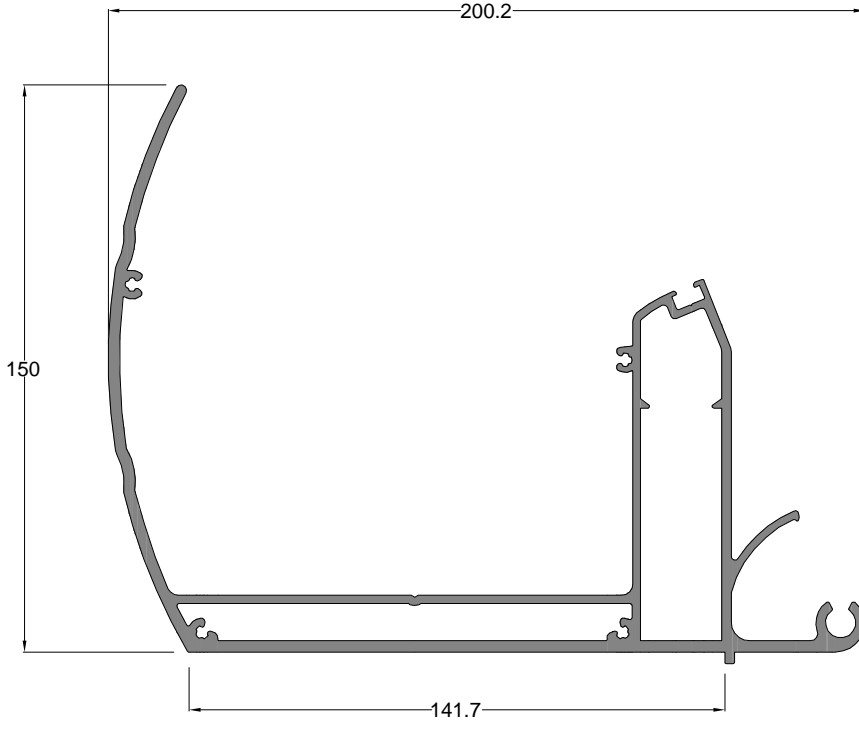
| | |
|--|---|
| Oluk Takviye / Gutter Reinforcement | ✓ |
| Tařıyıcı Takviye / Carrier Reinforcement | ✓ |
| Düz Veranda (Ekli - Eksiz) / Straight Veranda (Joint - Jointless) | ✓ |
| L Tipi Veranda / L Type Veranda | ✓ |

| PROF L KES T PROFILE SECTION | PROF L KODU PROFILE CODE | PROF L ADI PROFILE NAME | Jx cm ⁴ | Jy cm ⁴ | A IRLIK (kg/m) WEIGHT |
|---|-----------------------------|---|------------------------|------------------------|--------------------------|
|  | 13168 | OLUK PROF L GUTTER PROFILE | 876,31 cm ⁴ | 263,28 cm ⁴ | 5,247 kg/m |
|  | 13169 | DUVAR PROF L WALL CARRIER PROFILE | 451,12 cm ⁴ | 20,06 cm ⁴ | 2,379 kg/m |
|  | 13170 | AYAK PROF L COLUMN PROFILE | 251,16 cm ⁴ | 48,68 cm ⁴ | 4,167 kg/m |
|  | 13171 | AYAK KAPAK PROF L COLUMN COVER PROFILE | 4,01 cm ⁴ | 109,37 cm ⁴ | 1,182 kg/m |
|  | 13172 | AÇI SEV YE PROF L ANGLE PROFILE | 5,85 cm ⁴ | 76,35 cm ⁴ | 1,333 kg/m |
|  | 12570 | TA İYICI PROF L CARRIER PROFILE | 123,56 cm ⁴ | 33,54 cm ⁴ | 2,046 kg/m |
|  | 12569 | TA İYICI PROF L CARRIER PROFILE | 129,44 cm ⁴ | 36,76 cm ⁴ | 2,569 kg/m |

| PROF L KES T PROFILE SECTION | PROF L KODU PROFILE CODE | PROF L ADI PROFILE NAME | Jx cm ⁴ | Jy cm ⁴ | A IRLIK (kg/m) WEIGHT |
|---|-----------------------------|---|--------------------|--------------------|--------------------------|
|  | 12572 | B T KAPAK PROF L END COVER PROFILE | - | - | 0,467 kg/m |
|  | 7331 | ARA KAPAK PROF L MID COVER PROFILE | - | - | 0,476 kg/m |
|  | 7332 | B T KAPAK PROF L END COVER PROFILE | - | - | 0,622 kg/m |
|  | 12568 | TA IYICI ARASI KAPAK PROF L MID COVER CARRIER PROFILE | - | - | 0,655 kg/m |
|  | 11536 | LAMBR PROF L PANEL PROFILE | - | - | 1,264 kg/m |
|  | 4112 | OLUK KANAL KAPAK PROF L GUTTER GROOVE COVER PROFILE | - | - | 0,078 kg/m |
|  | 4787 | F PROF L F PROFILE | - | - | 0,304 kg/m |
| | | | | | |

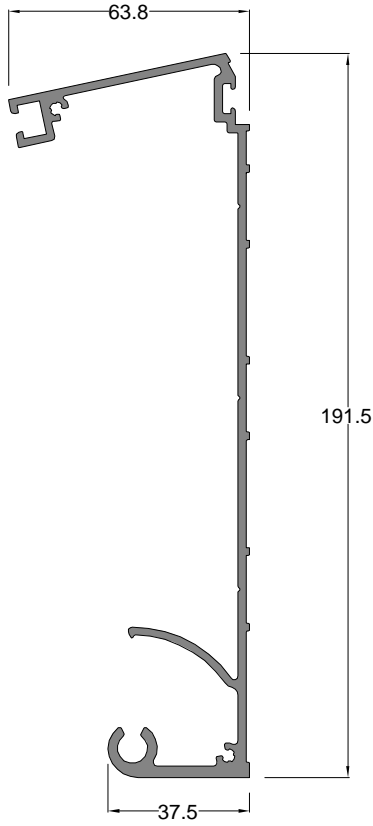
| AKSESUAR ACCESSORY | STOK KODU REFERENCE CODE | AKSESUAR ADI DESCRIPTION | AKSESUAR KODU PRODUCT CODE | PAKET PACK |
|---|-----------------------------|--|-------------------------------|-------------------------|
|  | 03 010104 | CAM F T L (4 mm) GLAZING GASKET (4 mm) | WG100-CF.04 | 145 mt / paket 10 kg |
|  | 03 010105 | CAM F T L (5 mm) GLAZING GASKET (5 mm) | WG100-CF.05 | 120 mt / paket 10 kg |
|  | 03 010107 | CAM F T L (7 mm) GLAZING GASKET (7 mm) | WG100-CF.07 | 95 mt / paket 10 kg |
|  | 03 010109 | CAM F T L (9 mm) GLAZING GASKET (9 mm) | WG100-CF.09 | 80 mt / paket 10 kg |
|  | 03 010503 | DI CAM F T L OUTER GLAZING GASKET | WG100-DCF.30 | 215 mt / paket 10 kg |
|  | 03 070107 | DUVAR B T F T L (YAPRAK F T L) WALL FINISH GASKET | WG100-DBF.107 | 40 mt / paket 10 kg |
|  | 20 100539 | YAPRAK TUTUCU LEAF HOLDER | WG100-YT.80 | 1 ad / 1 paket |
|  | 15 800102 | OLUK KAPAK GUTTER COVER | WG100-OYK.101 | 1 ad / 1 pk |
|  | 15 800103 | DUVAR BA LANTI PROF L KAPAK WALL CONNECTION PROFILE COVER | WG100-DYK.102 | 1 ad / 1 pk |
|  | 15 800100 | ZEM N BA LANTI ANKRAJI FLOOR CONNECTION ANCHORAGE | WG100-AJ.200 | 1 ad / 1 pk |
|  | 15 800101 | OLUK BA LANTI ANKRAJI GUTTER CONNECTION ANCHORAGE | WG100-OBP.100 | 1 ad / 1 pk |

| AKSESUAR ACCESSORY | STOK KODU REFERENCE CODE | AKSESUAR ADI DESCRIPTION | AKSESUAR KODU PRODUCT CODE | PAKET PACK |
|---|-----------------------------|---|-------------------------------|-----------------|
|  | 11 010420 | KL PSL DÜBEL (BA-E PLUS 10X60) (AYAK PROF L Ç N) DOWEL WITH CLIP (FOR COLUMN PROFILE) | WG100-KDB.100 | 1000 ad/1 paket |
|  | 11 010423 | V DALI DÜBEL (GAZ BETON Ç N) SDP-KB-10 GXL (DUVAR PROF L Ç N) DOWEL SCREW (FOR WALL PROFILE) | WG100-VDG.100 | 1000 ad/1 paket |
|  | 11 010421 | V DALI DÜBEL (TU LA BETON Ç N) SDF-KB-10H (DUVAR PROF L Ç N) DOWEL SCREW (FOR WALL PROFILE) | WG100-VDT.100 | 1000 ad/1 paket |
|  | 11 010422 | Ø4.8X16 Trapez Matkap Uçlu Vida Ø4.8X16 SELF DRILLING TRAPEZE SCREW | WG100-SC.422 | 1000 ad/1 paket |
|  | 11 010212 | Ø4.2X32 YSB. Matkap Uçlu V DA Ø4.2X32 SELF DRILLING CURVED TOP SCREW | WG100-SC.212 | 1000 ad/1 paket |
|  | 11 010217 | Ø4.8X16 YSB. Matkap Uçlu V DA Ø4.8X16 SELF DRILLING CURVED TOP SCREW | WG100-SC.217 | 1000 ad/1 paket |
| | | | | |
| | | | | |
| | | | | |
| | | | | |
| | | | | |
| | | | | |
| | | | | |



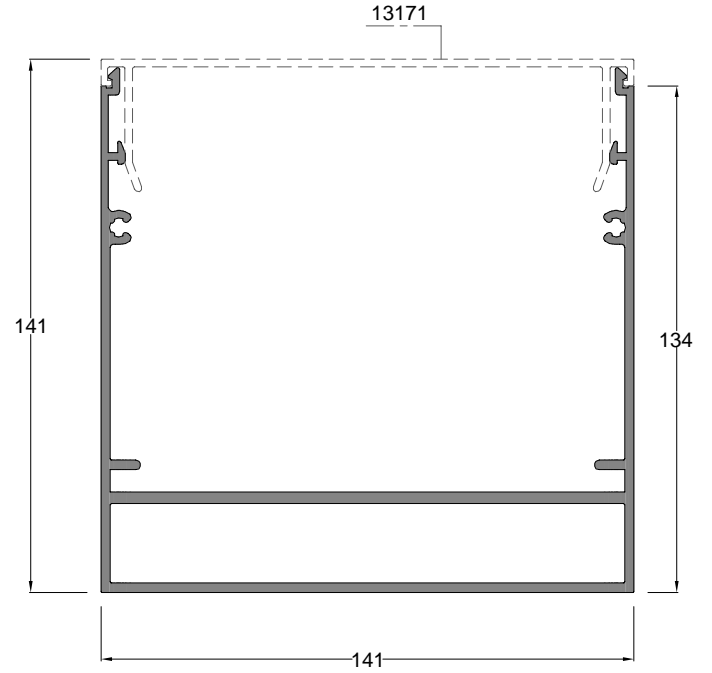
| Oluk Profili | Profil Kodu | (kg/mt) |
|----------------|--------------|---------|
| GUTTER PROFILE | Profile Code | Weight |
| | 13168 | 5,247 |

** Bu profil için minimum sipari 1000 kg'dır.
** Minimum order quantity is 1000 kg for this profile.



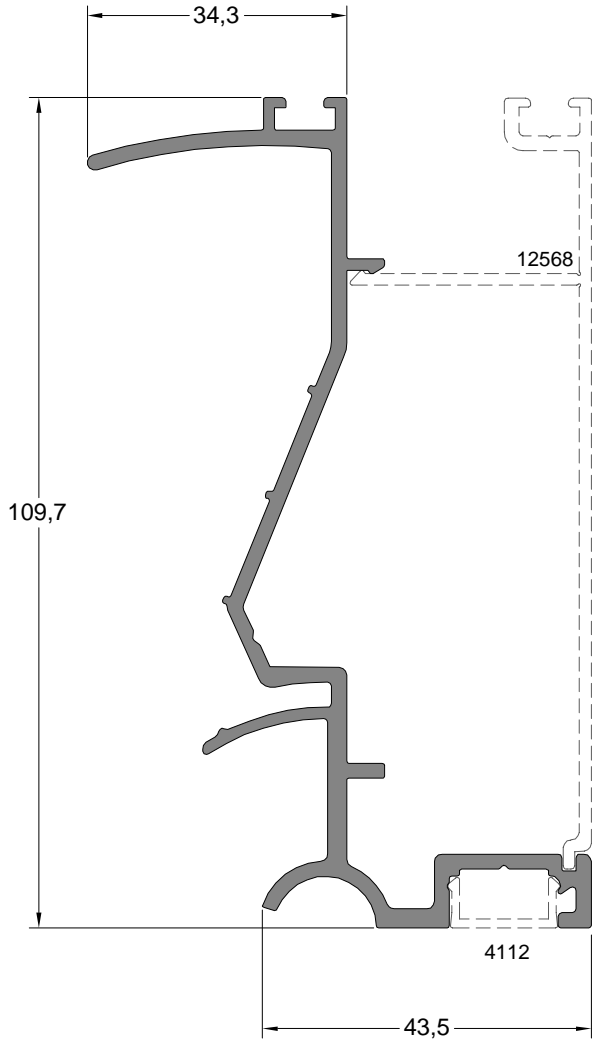
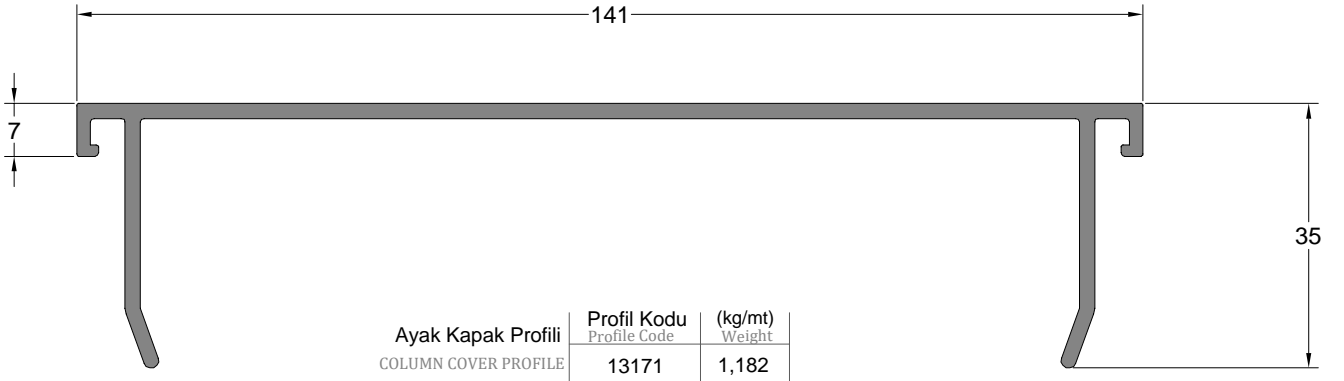
| Duvar Ba lantı Profili | Profil Kodu | (kg/mt) |
|------------------------|--------------|---------|
| WALL CARRIER PROFILE | Profile Code | Weight |
| | 13169 | 2,379 |

** Bu profil için minimum sipari 800 kg'dır.
** Minimum order quantity is 800 kg for this profile.

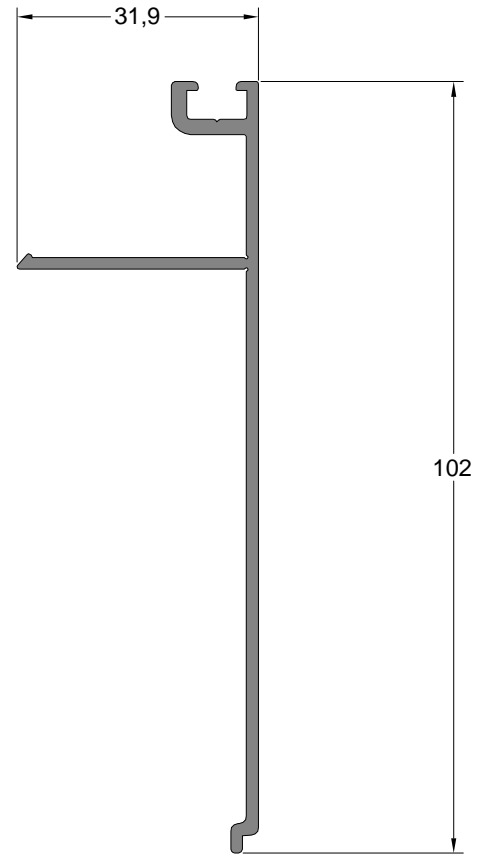


| Ayak Profili | Profil Kodu | (kg/mt) |
|----------------|--------------|---------|
| COLUMN PROFILE | Profile Code | Weight |
| | 13170 | 4,167 |

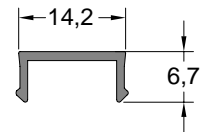
** Bu profil için minimum sipari 1000 kg'dır.
** Minimum order quantity is 1000 kg for this profile.



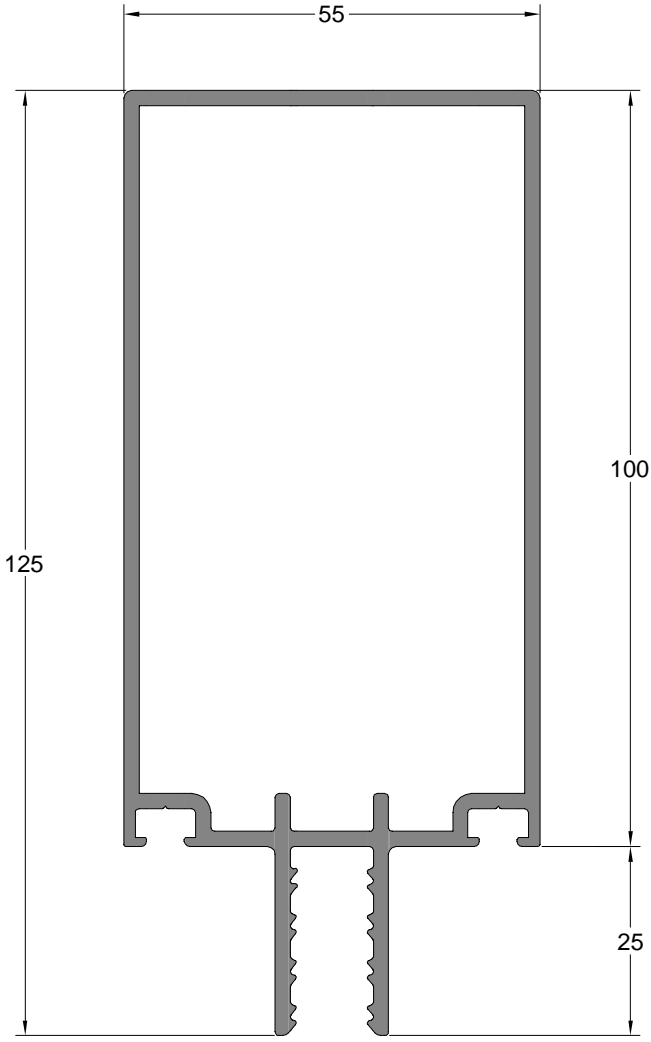
| Açık Seviye Profili | Profil Kodu | (kg/mt) |
|---------------------|--------------|---------|
| ANGLE PROFILE | Profile Code | Weight |
| | 13172 | 1,333 |



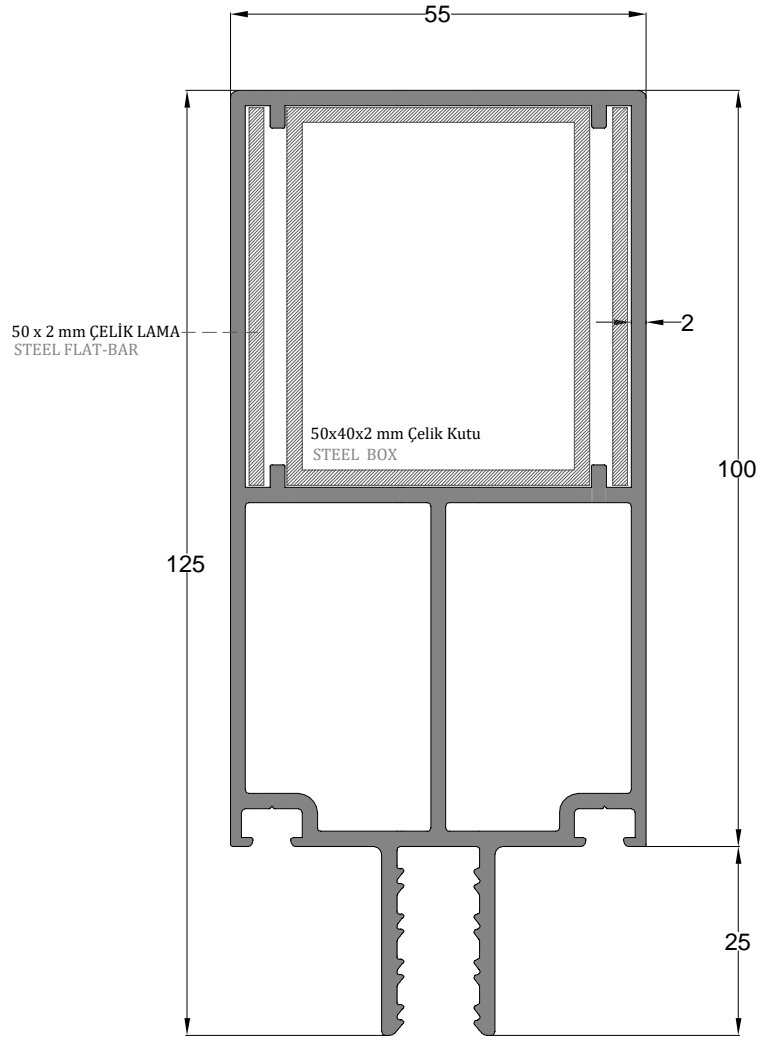
| Taşıyıcı Arası Kapak Profili | Profil Kodu | (kg/mt) |
|------------------------------|--------------|---------|
| MID COVER CARRIER PROFILE | Profile Code | Weight |
| | 12568 | 0,655 |



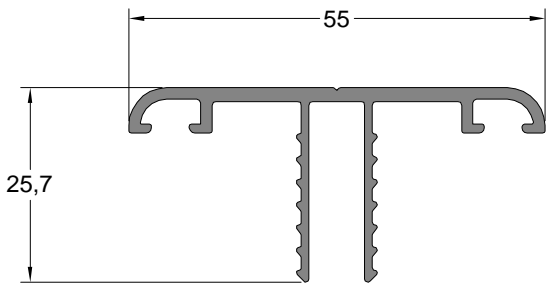
| Oluk Kanal Kapak Profili | Profil Kodu | (kg/mt) |
|-----------------------------|--------------|---------|
| GUTTER GROOVE COVER PROFILE | Profile Code | Weight |
| | 4112 | 0,078 |



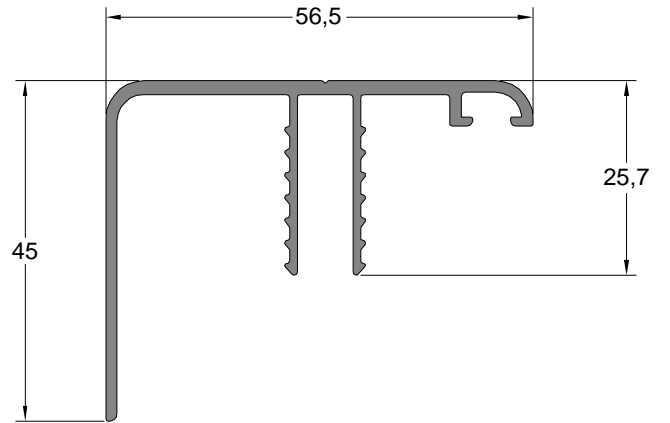
| Ta ıyıcı Profili | Profil Kodu | (kg/mt) |
|------------------|--------------|---------|
| CARRIER PROFILE | Profile Code | Weight |
| | 12570 | 2,046 |



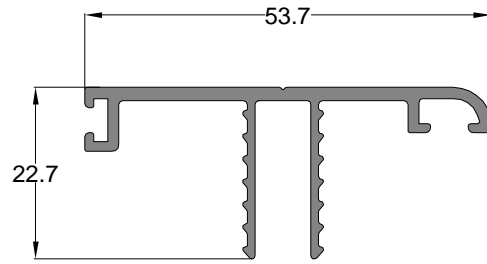
| Ta ıyıcı Profili | Profil Kodu | (kg/mt) |
|------------------|--------------|---------|
| CARRIER PROFILE | Profile Code | Weight |
| | 12569 | 2,569 |



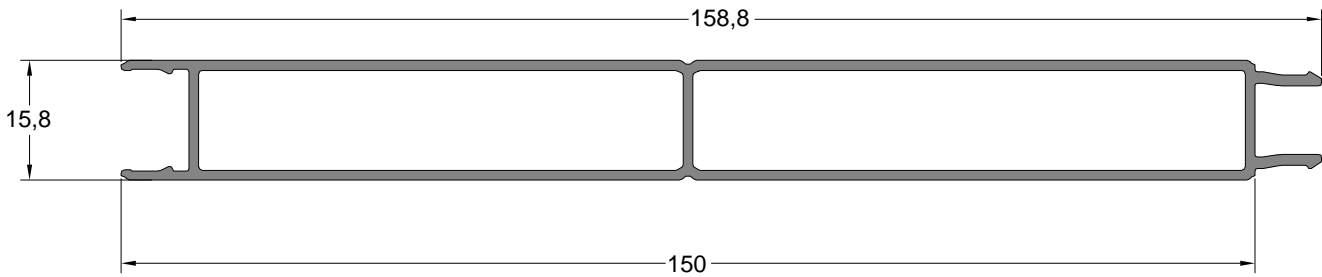
| Ara Kapak Profili | Profil Kodu | (kg/mt) |
|-------------------|--------------|---------|
| MID COVER PROFILE | Profile Code | Weight |
| | 7331 | 0,476 |



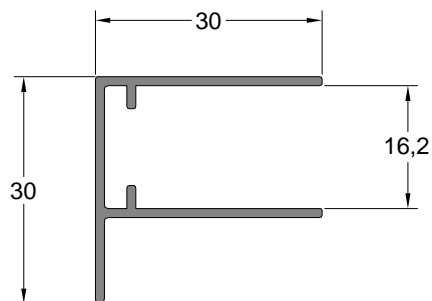
| Biti Kapak Profili | Profil Kodu | (kg/mt) |
|--------------------|--------------|---------|
| END COVER PROFILE | Profile Code | Weight |
| | 7332 | 0,622 |



| Biti Kapak Profili | Profil Kodu Profile Code | (kg/mt) Weight |
|--------------------|-----------------------------|-------------------|
| END COVER PROFILE | 12572 | 0,467 |

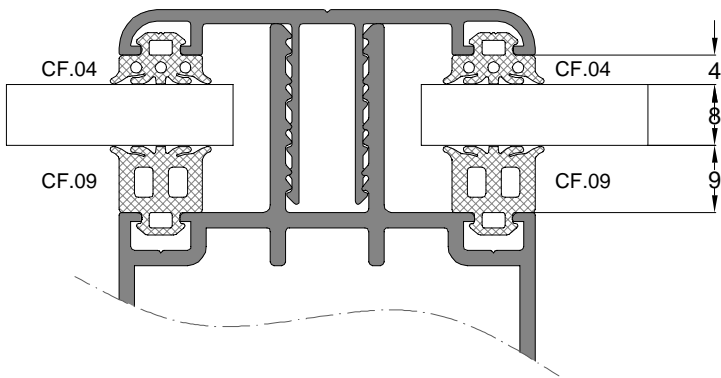


| Lambri Profili | Profil Kodu Profile Code | (kg/mt) Weight |
|----------------|-----------------------------|-------------------|
| PANEL PROFILE | 11536 | 1,264 |

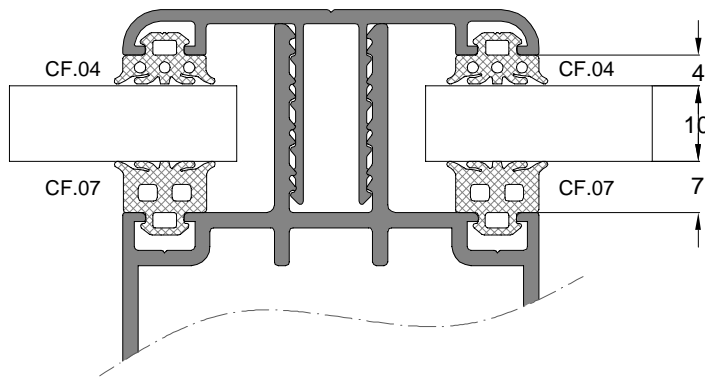


| F Profili | Profil Kodu Profile Code | (kg/mt) Weight |
|-----------|-----------------------------|-------------------|
| F PROFILE | 4787 | 0,304 |

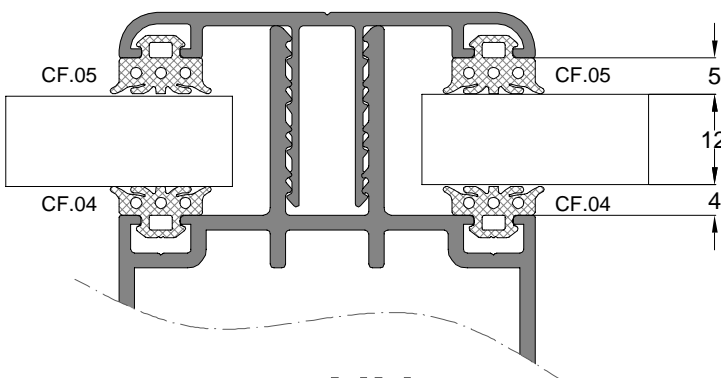
8 MM



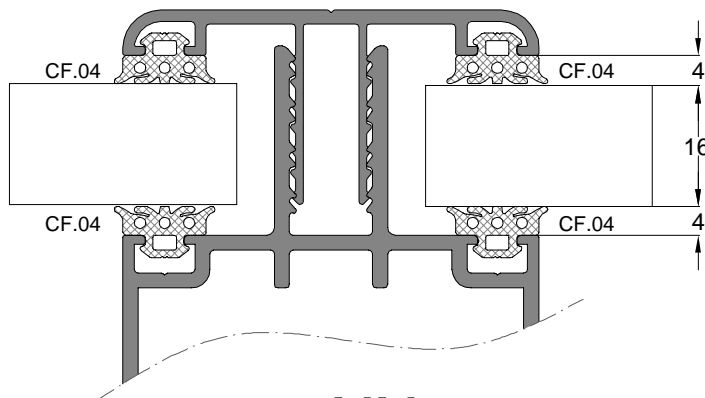
10 MM



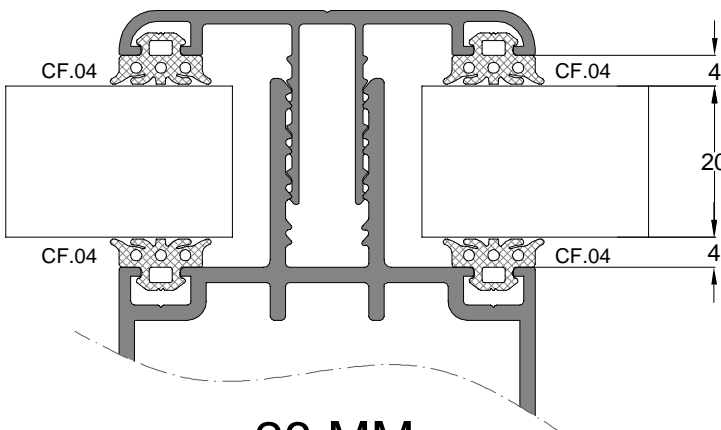
12 MM



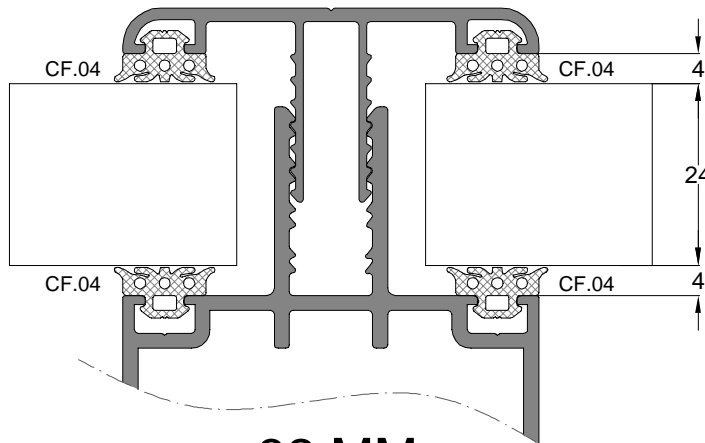
16 MM



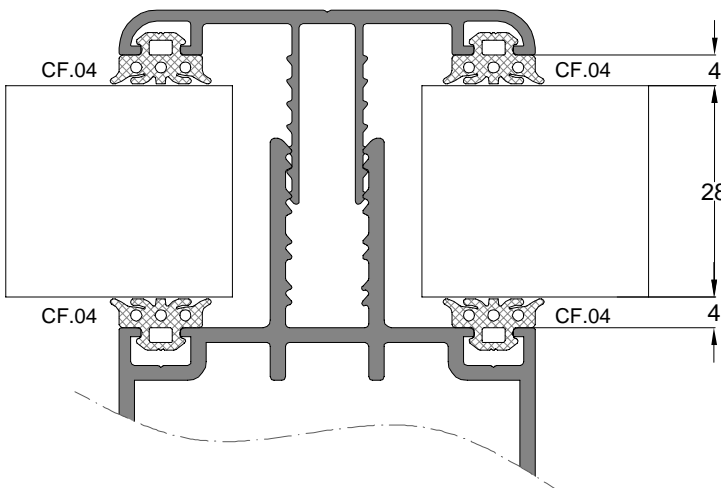
20 MM



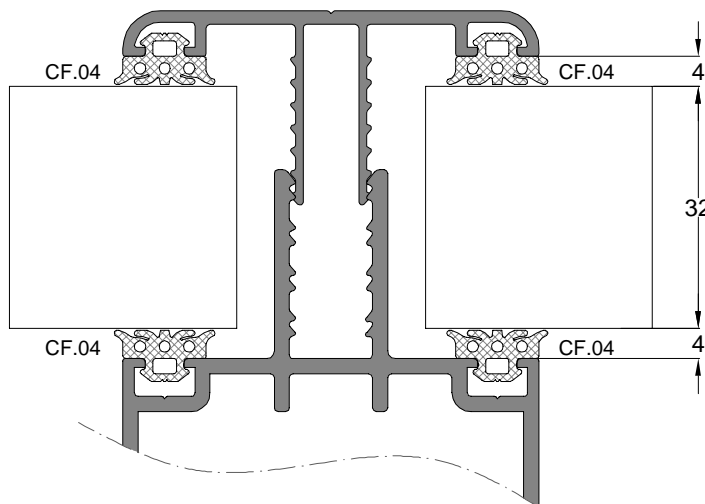
24 MM

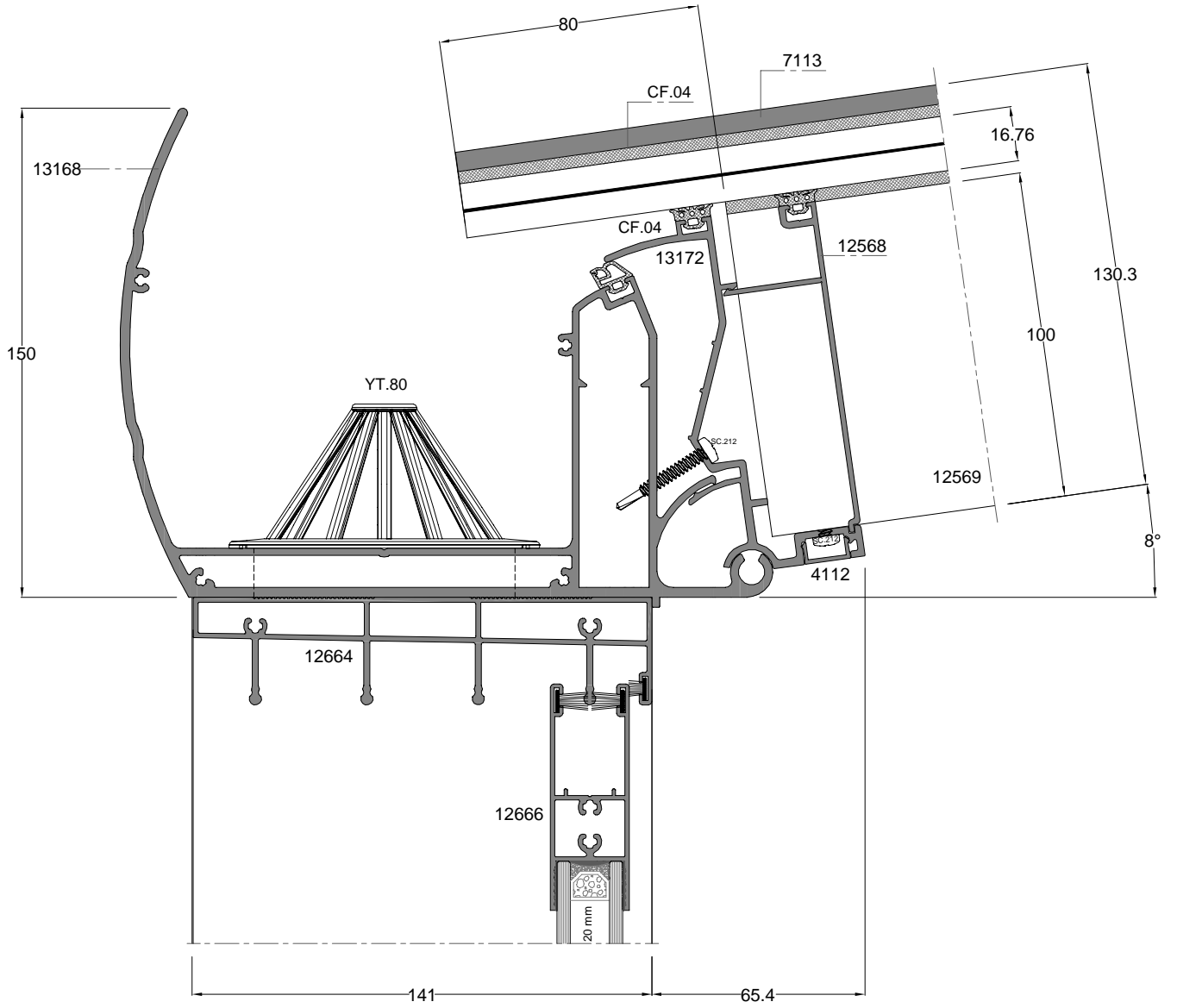
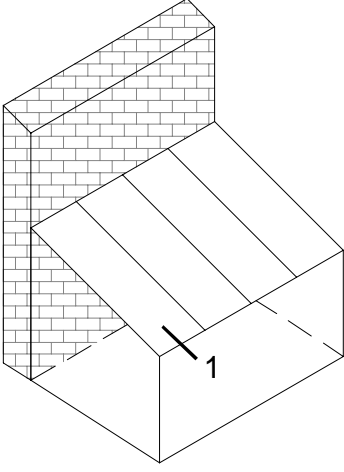


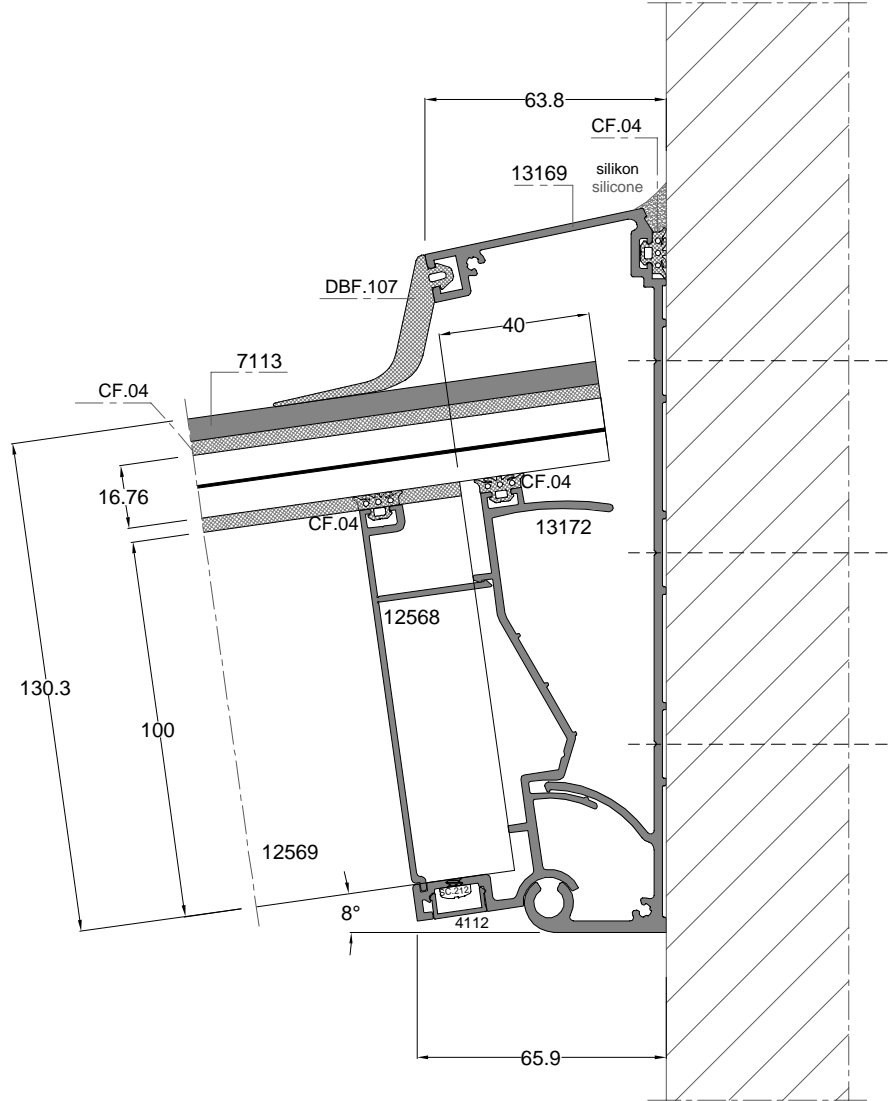
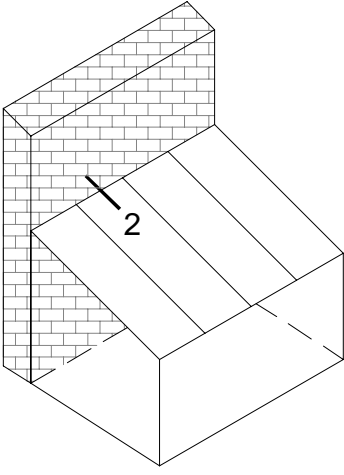
28 MM

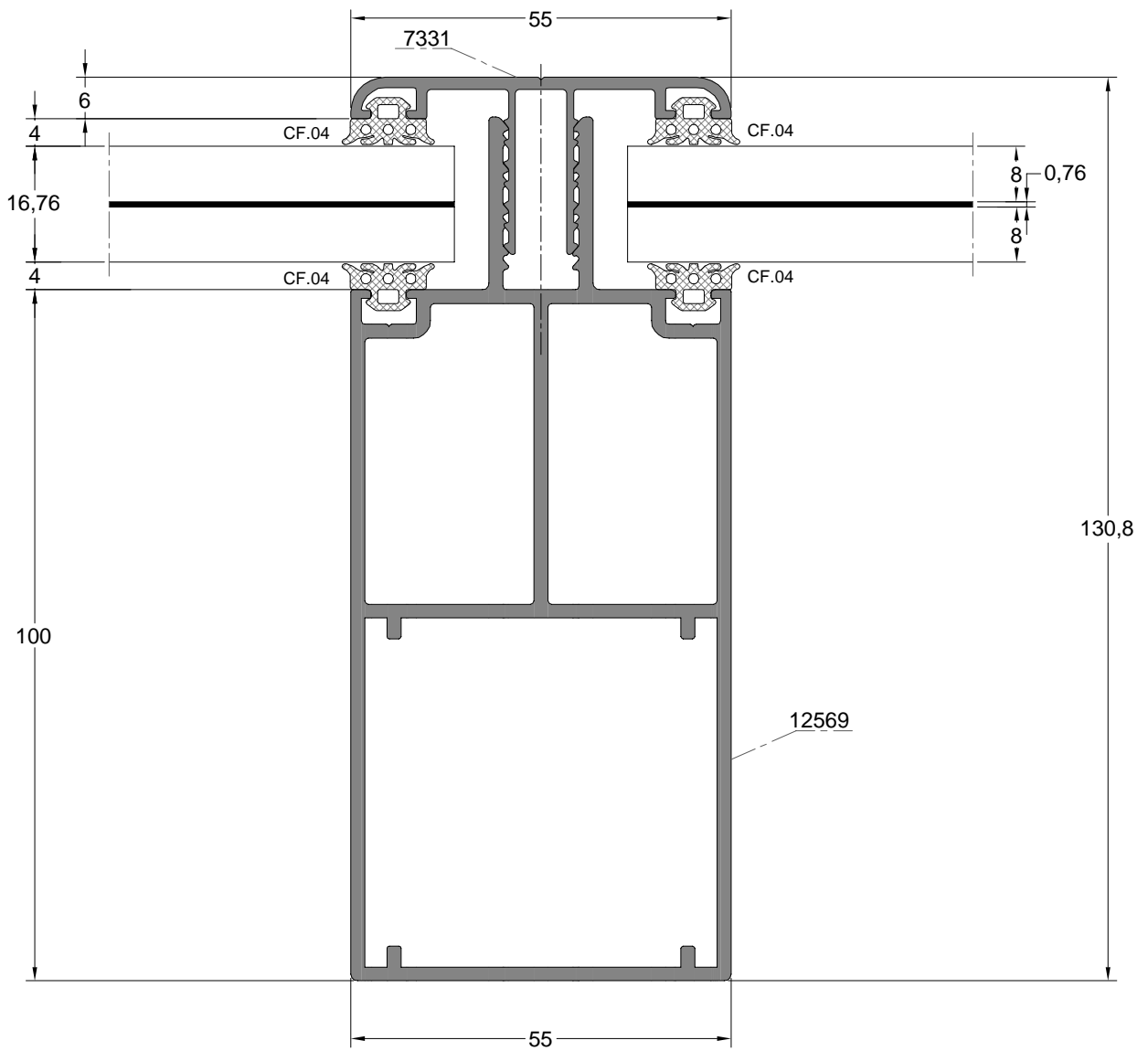
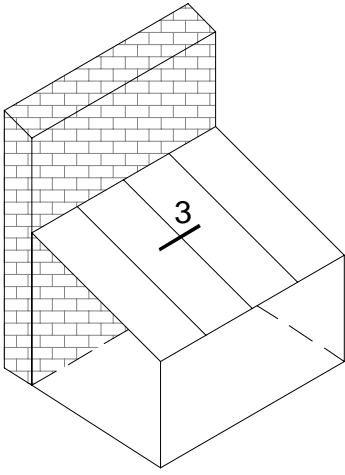


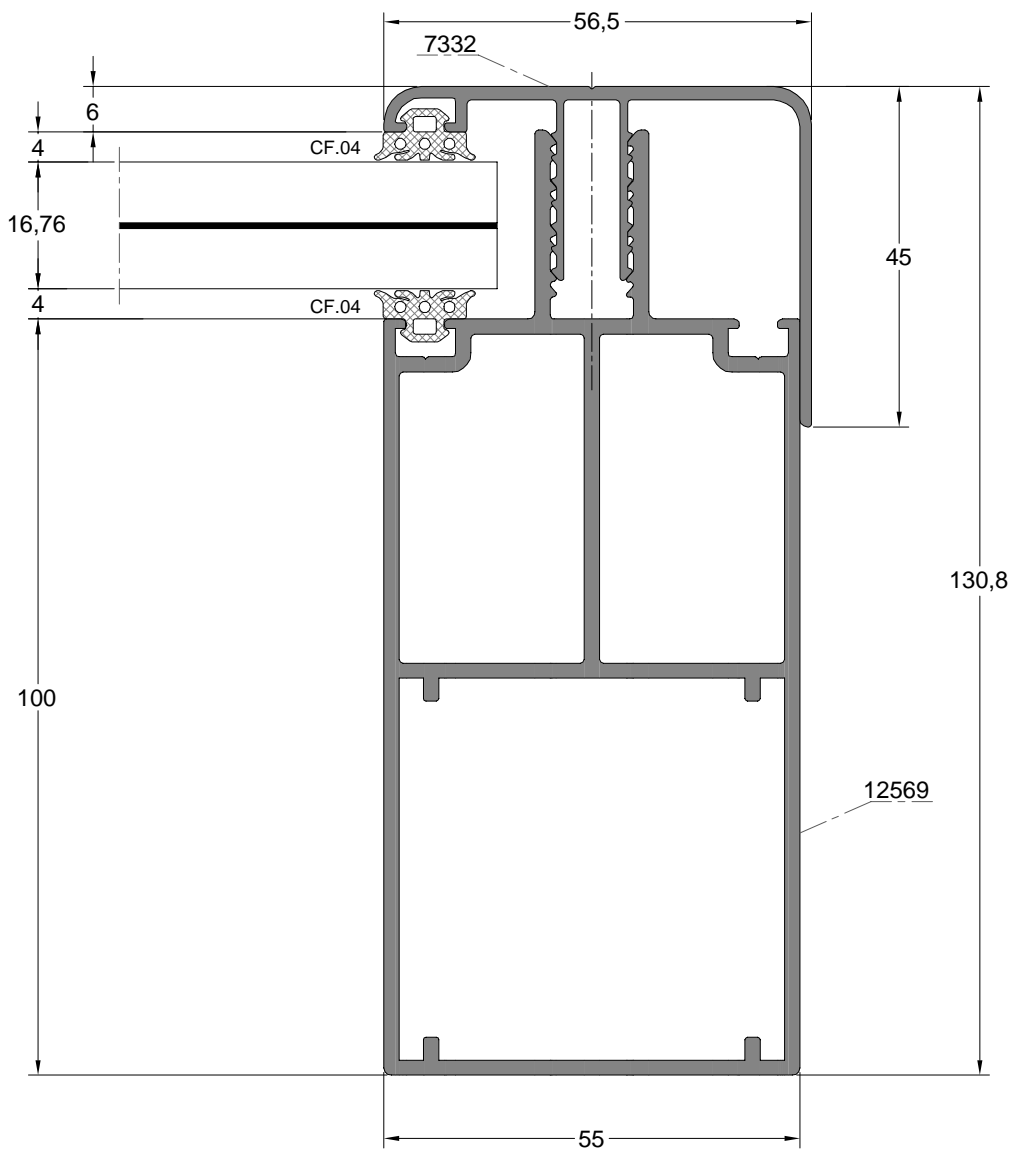
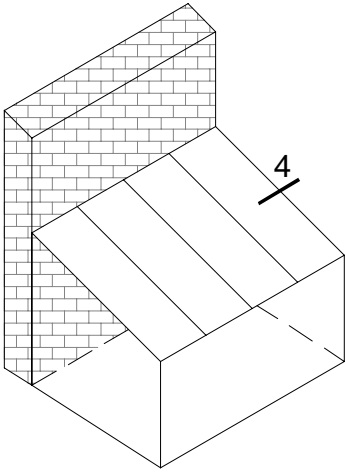
32 MM

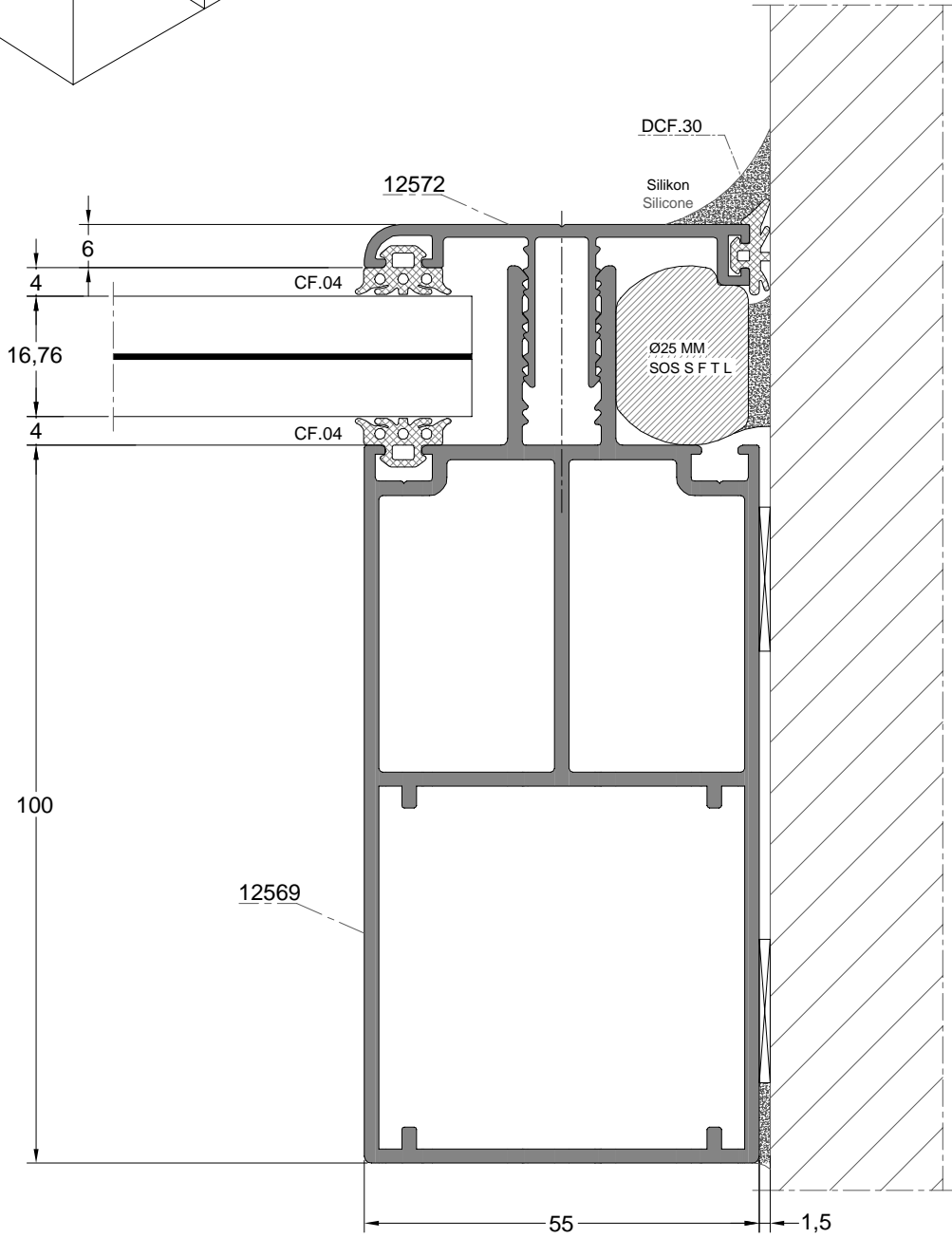
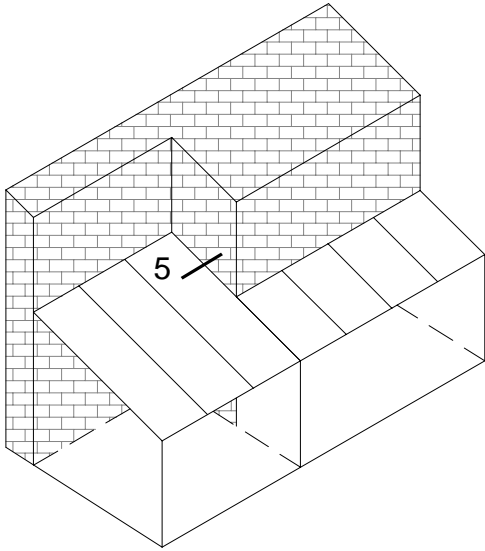


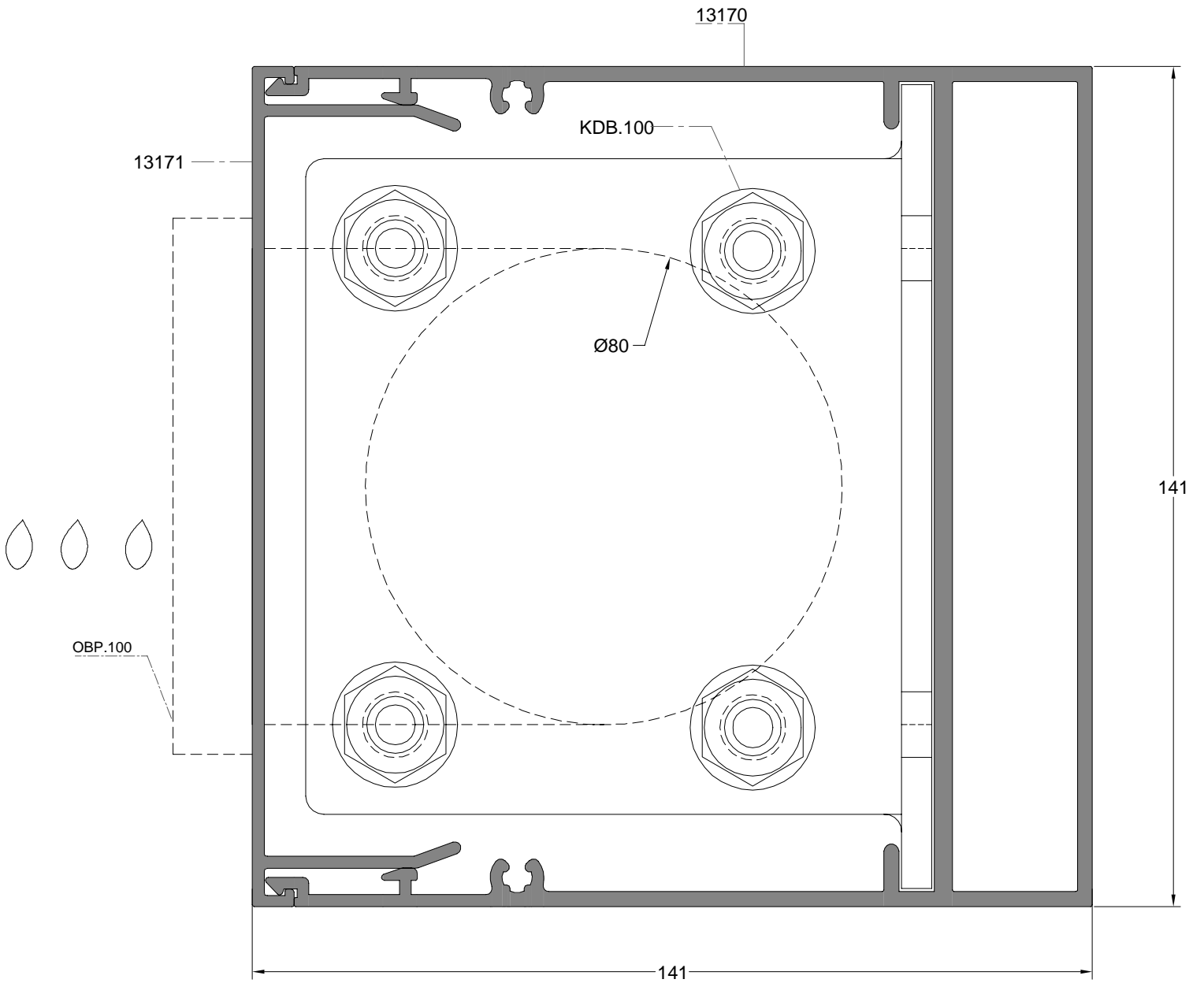
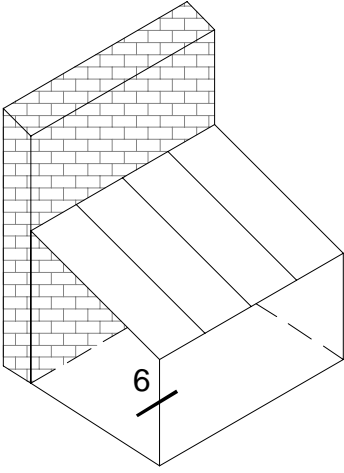






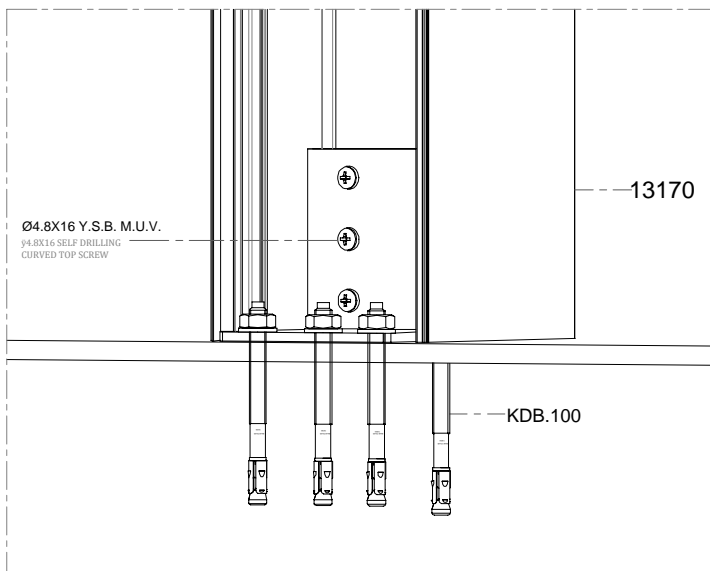
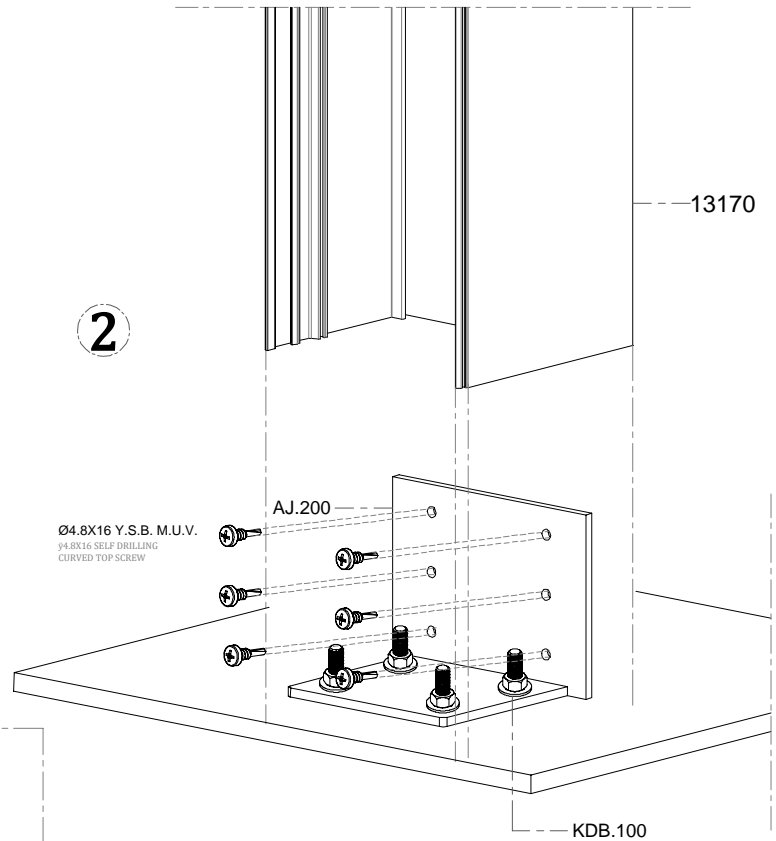
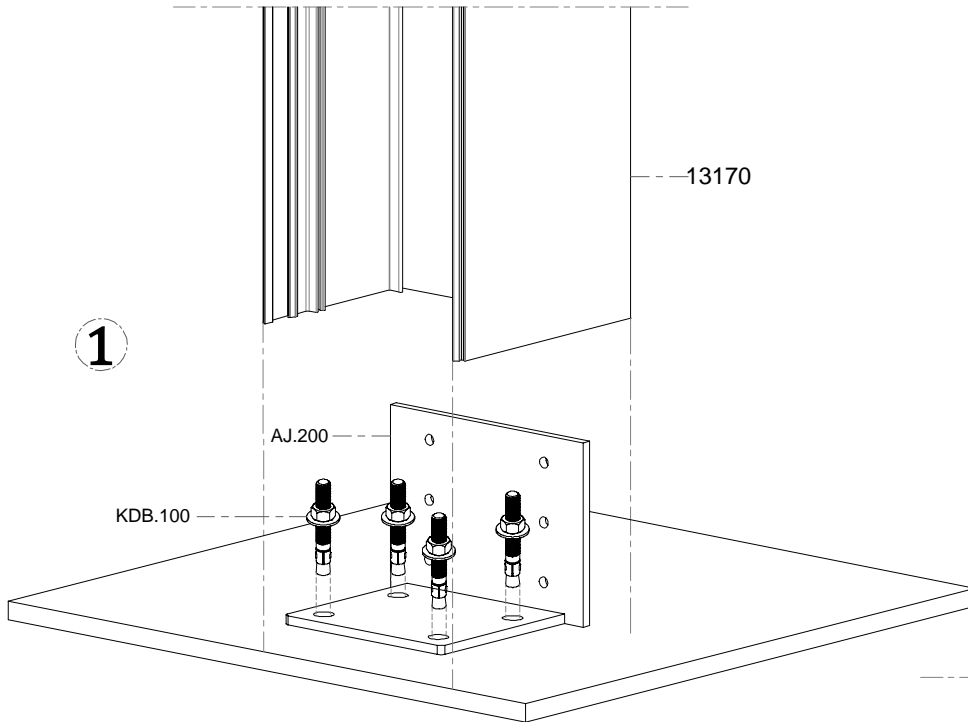






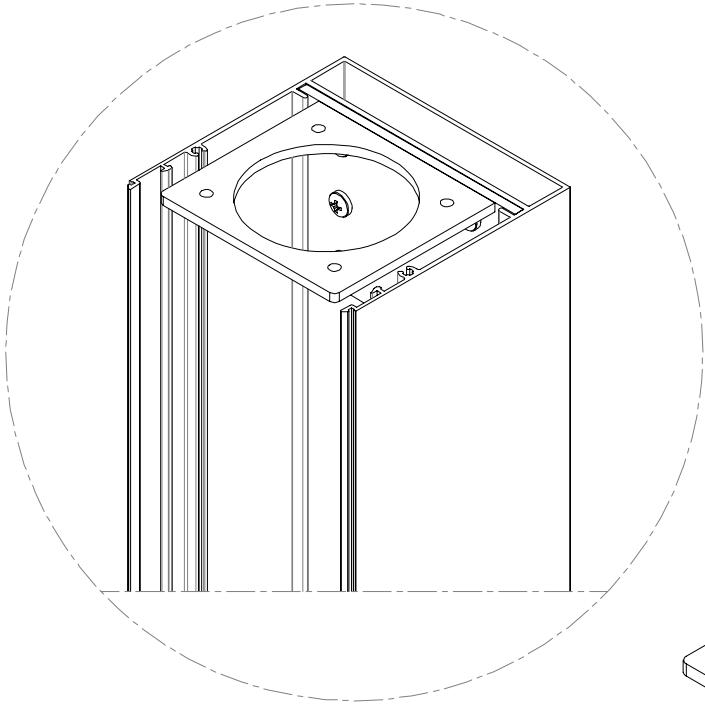


AYAK - ZEM N BA LANTI MONTAJ TAL MATLARI
COLUMN - FLOOR CONNECTION ASSEMBLY INSTRUCTIONS



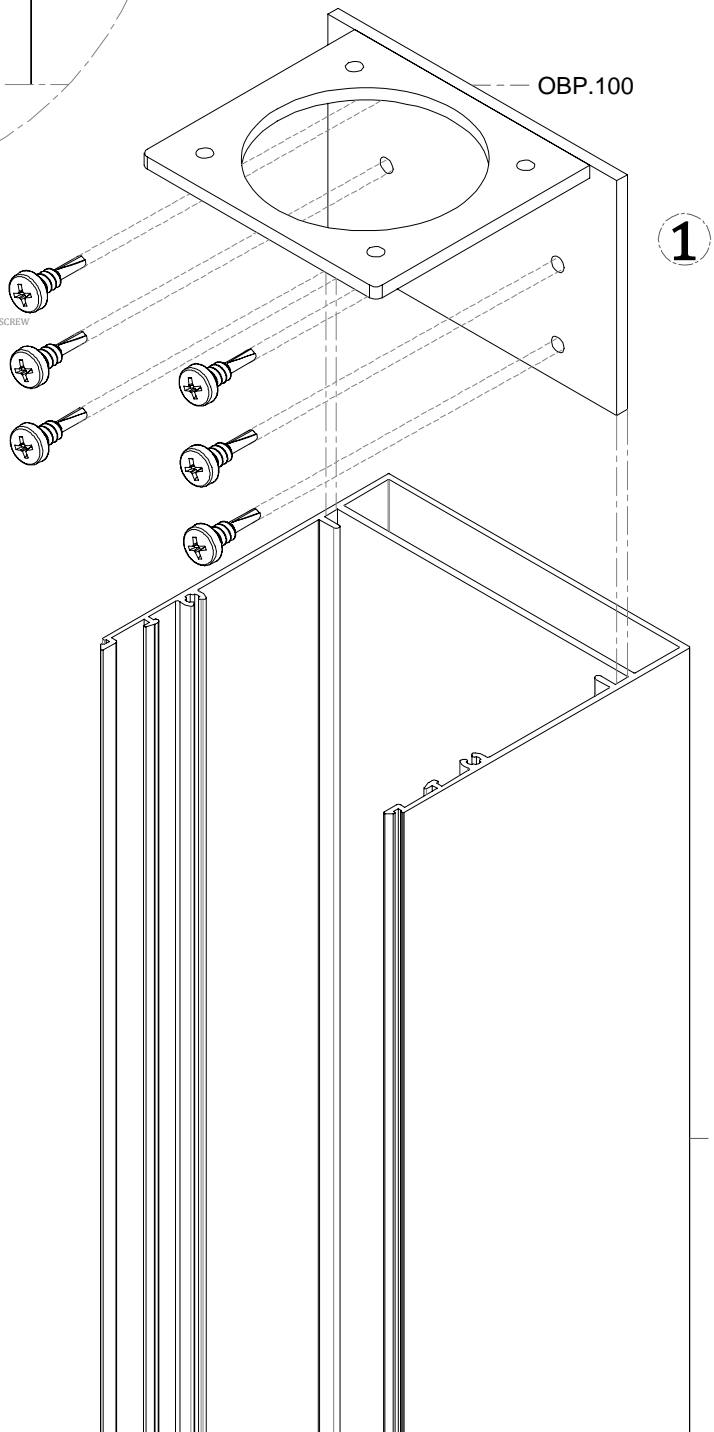


OLUK - AYAK MONTAJ TAL MATLARI
GUTTER - COLUMN ASSEMBLY INSTRUCTIONS



2

Ø4.8X16 Y.S.B. M.U.V.
3/8X16 SELF DRILLING CURVED TOP SCREW

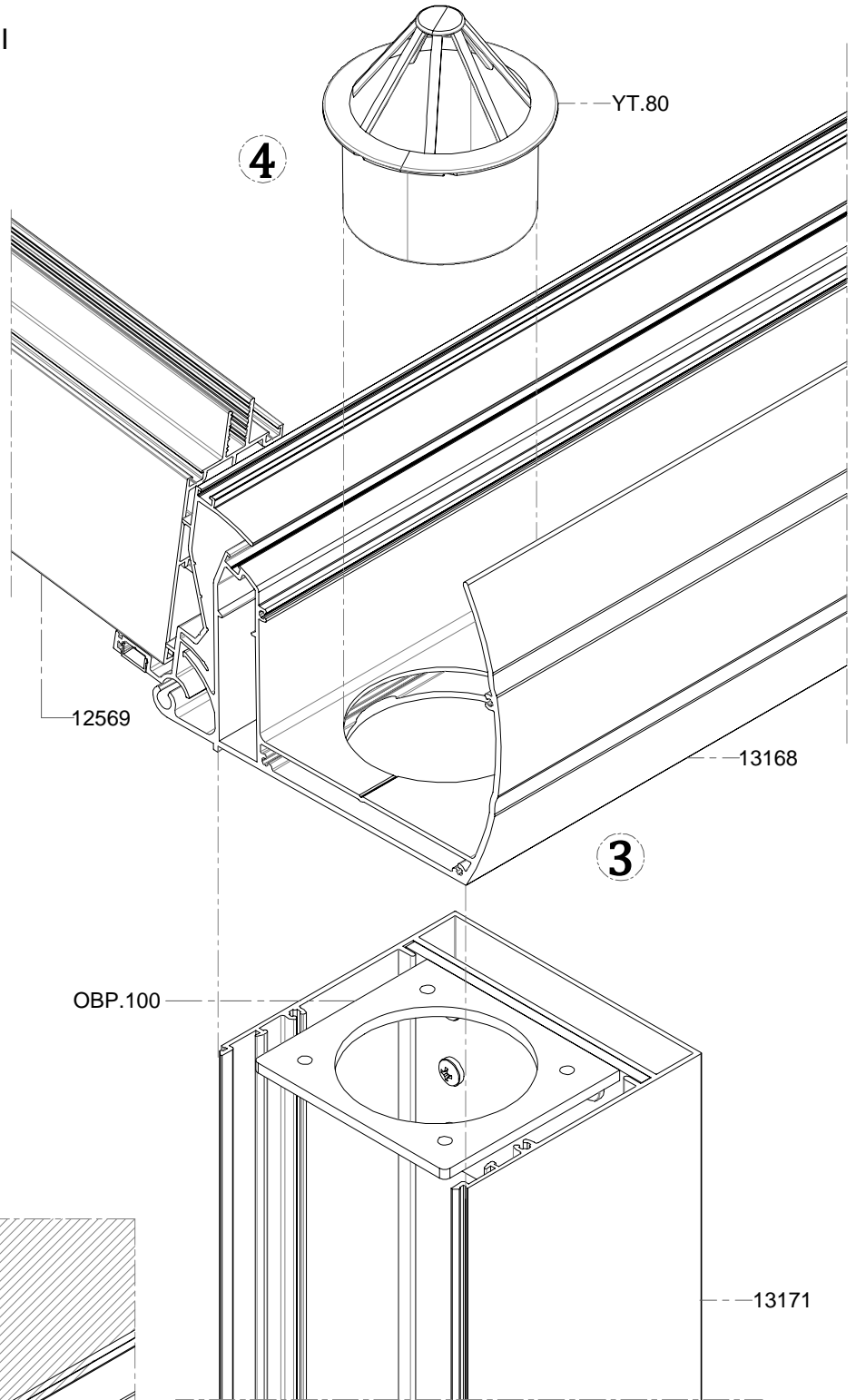


13171

13170

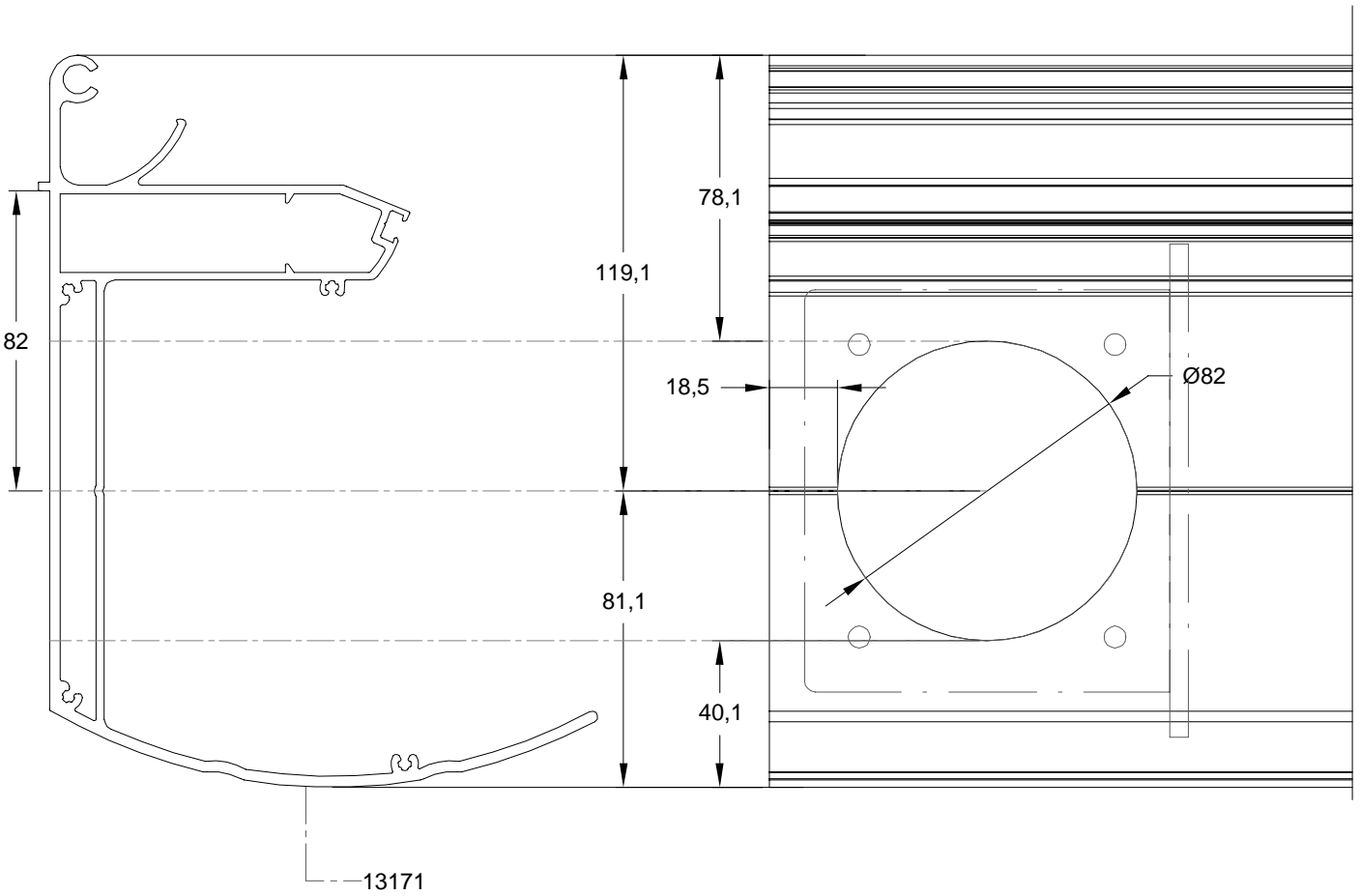
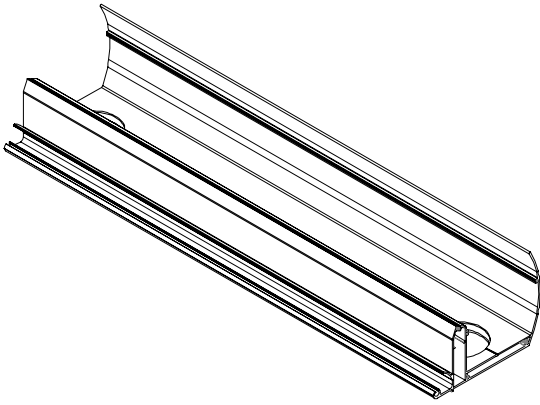


OLUK - AYAK MONTAJ TAL MATLARI
GUTTER - COLUMN ASSEMBLY INSTRUCTIONS



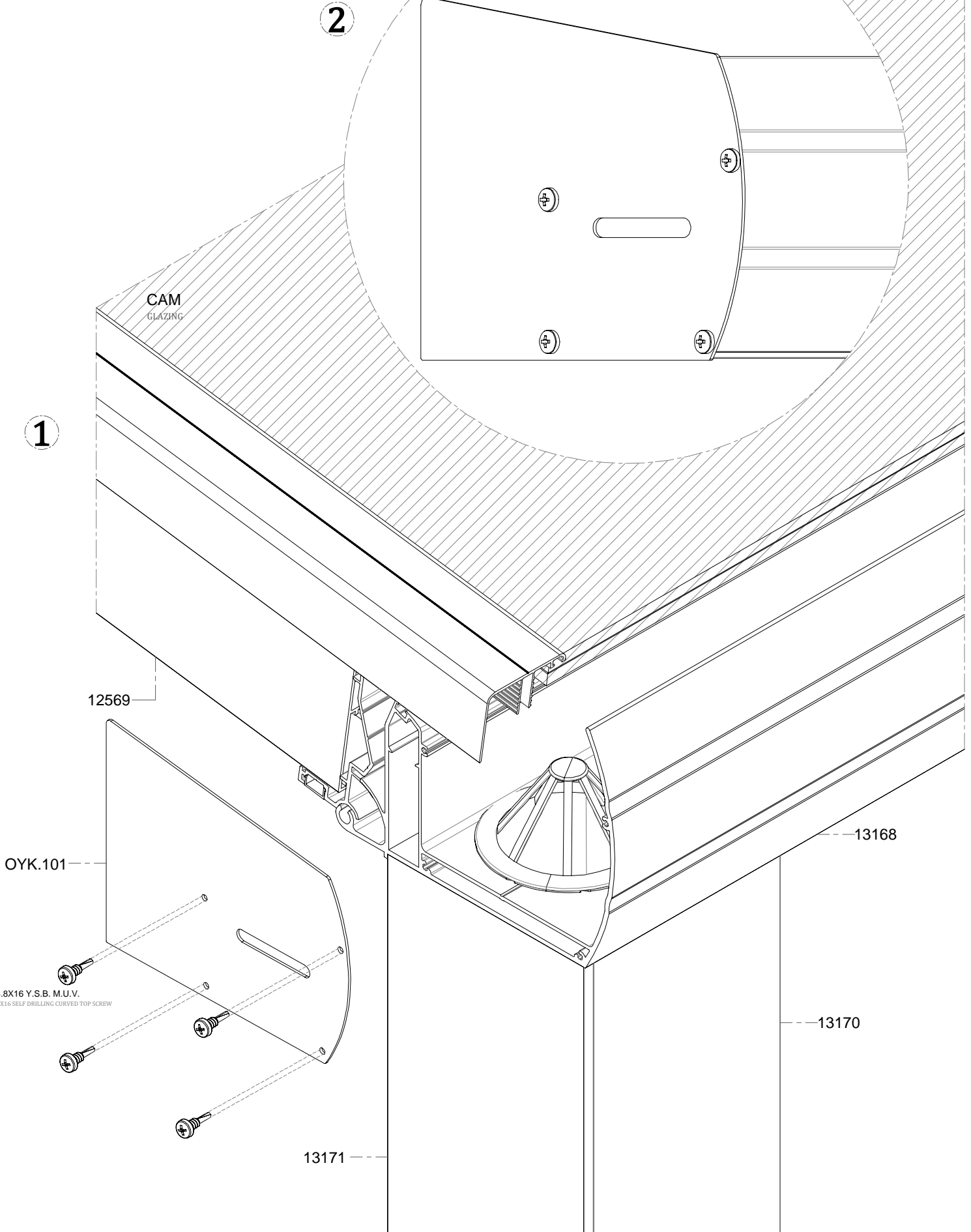


YK.80 KES M ÖLÇÜSÜ
YK.80 CUTTING DIMENSIONS





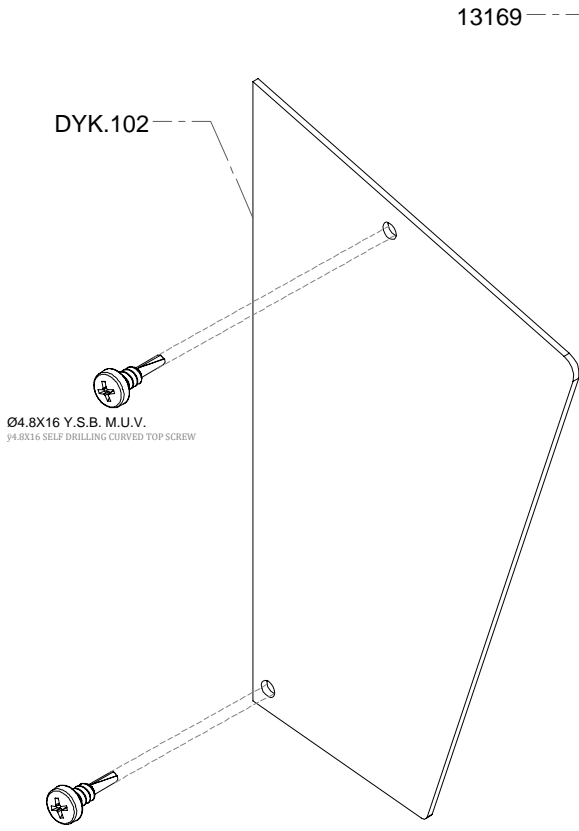
OLUK - YAN KAPAK MONTAJ
TAL MATLARI
GUTTER - SIDE COVER ASSEMBLY INSTRUCTIONS



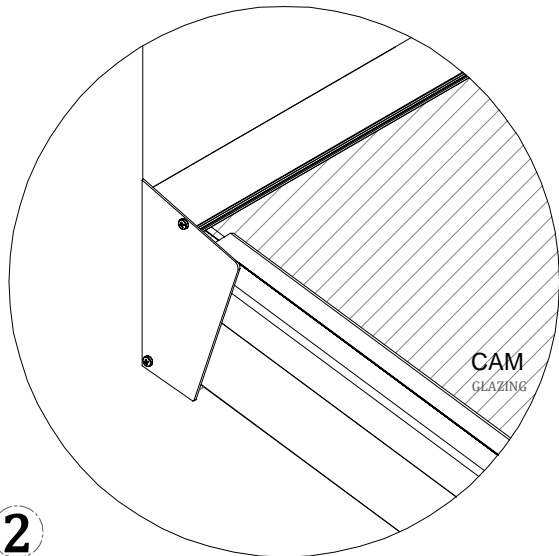
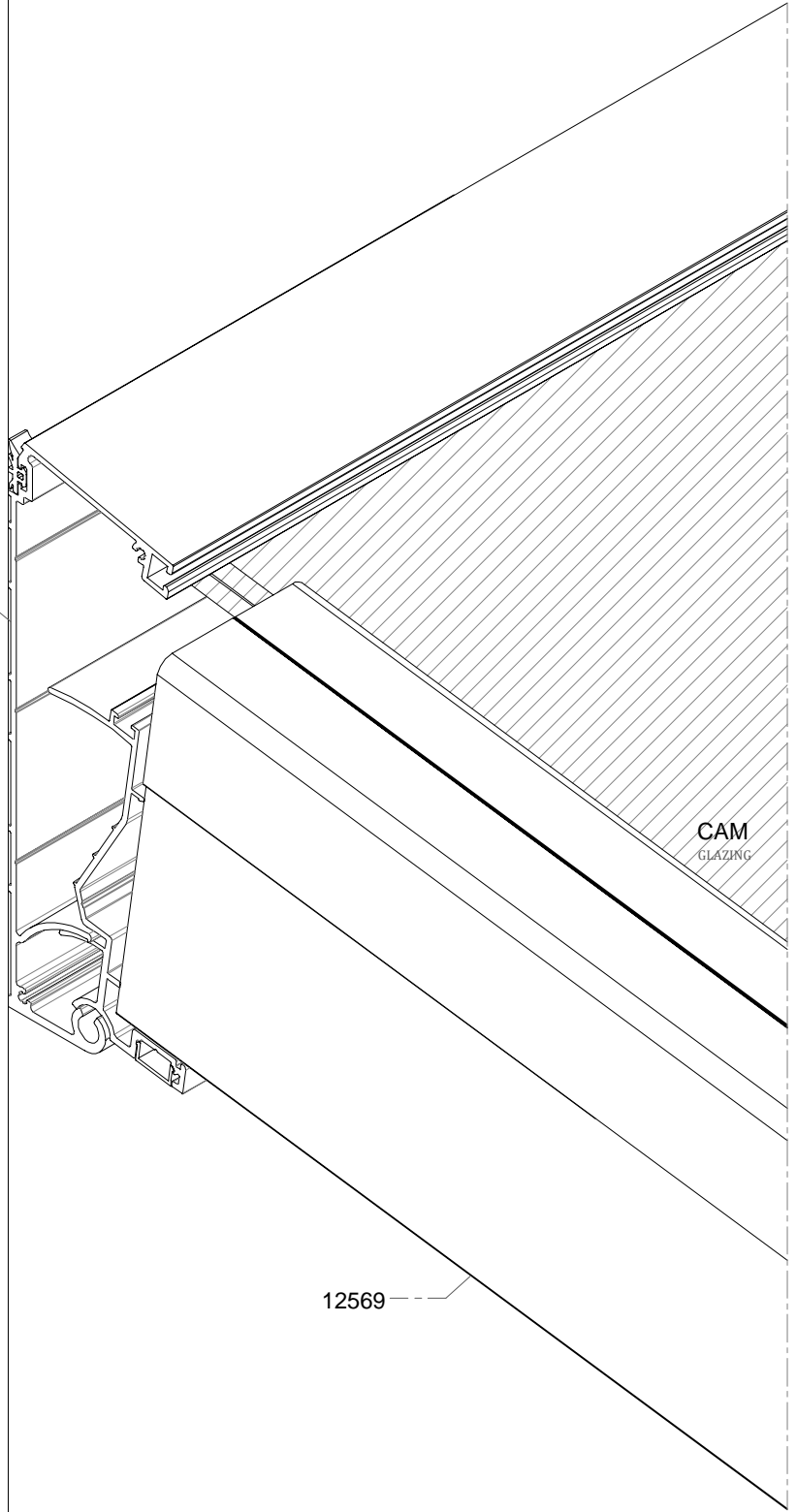


DUVAR - YAN KAPAK MONTAJ TAL MATLARI
WALL - SIDE COVER ASSEMBLY INSTRUCTIONS

1



13169



2